

AIRTREND Limited
Predstavništvo u
Beogradu Kumanovska 14
11000 Beograd, Srbija
Tel: 011 3836886, 3085740
Faks: 011 3444113
e-mail: gobrid@eunet.rs
web: www.airtrend.rs

FläktGroup

WOODS | Air Movement

ROOF UNITS STANDARD TEMPERATURE

HORIZONTAL OUTLET / SIDE DISCHARGE



ROOF UNITS – Standard Temperature

HORIZONTAL OUTLET / SIDE DISCHARGE

PRODUCT FACTS

- Volume flows up to 4.35 m³/s
- Static Pressures up to 1180 Pa
- Both 1 Ph and 3 Ph available
- Low sound level
- High efficiency
- Speed controllable
- ErP 2018 compliant
- Bird Guard and rain cowl included as standard

ELECTRICAL SUPPLY

- 220-240V / 50Hz / 1ϕ & 380-420V / 50Hz / 3ϕ

TEMPERATURE RANGE

- -20°C to +70°C (depending on size)

SIZES

- 190, 225, 280, 310, 355, 400, 450, 500, 560 and 630 mm

PRODUCT FACTS

The fan cowl is made of seawater-resistant aluminum up to size 500 mm and from 560 mm onwards it is made of galvanized sheet steel. The motor carrier cage is made of plastic-coated round steel and is designed as a bird guard with contact protection. The fan discharges horizontally

IMPELLER

The centrifugal impeller has backward curved blades and is manufactured from polyamide (plastic) up to size 560 mm. From 630 onwards, it is made of aluminum.

INSTALLATION

Fans can be mounted on flat roofs, pent roofs, saddle roofs and shed roofs via either installation frames or alternatively can be fitted directly to the roof base.

Fans are suitable for less polluted air.

SPEED CONTROLLER

The fans are available with speed controls and can be controlled using a separate transformer speed control or with Electronic controllers.

PRODUCT CODE

HR 123-4-5 678

- HR – Horizontal Discharge
- 123 – Impeller Diameter e.g., 190
- 4 – Pole Speed, e.g., 2/4/6
- 5 – Electrical Phase, e.g., 1/3
- 678 – Motor code and Stack Length

ACCESSORIES - CONTROLLERS

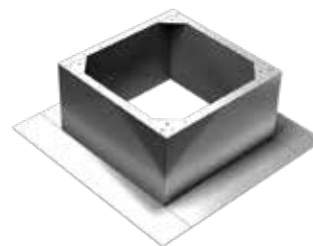
The range of accessories include manual and automatic shutters, swing-out frame, flat roof socket, flexible connectors, outlet covers and insulating connections.



Shutters



Swing-out



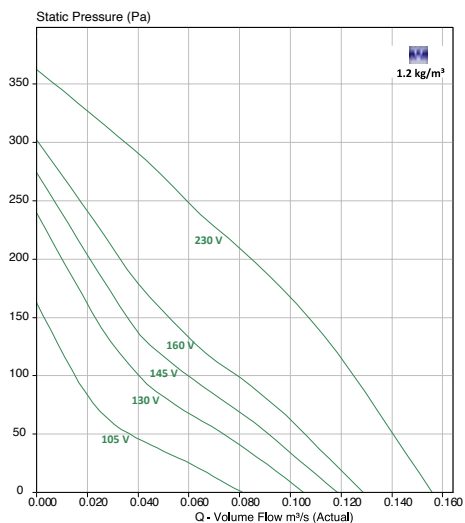
Roof Socket



Speed Controller

Note: The ErP legislation Reg 1253 states that a multi-speed drive or a variable speed drive must be used with this range of products

PERFORMANCE CHART

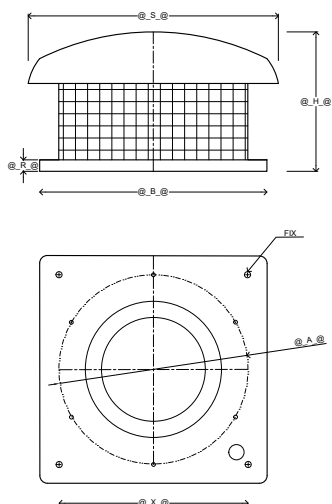


Model Name	Part Code	Motor Nominal data at 50Hz supply voltage	Power (kW)	Max Current (A)	IP Class	Speed (rpm)	Max Operating Temp (°C)
HR 190-2-1 3BE	RH190201	220-240V/50Hz/1pH	0.07	0.3	IP44	2420	60

Model Name	Sound Path [dB(A)]	Octave Correction factors (Hz)							
		63	125	250	500	1000	2000	4000	8000
HR 190-2-1 3BE	Inlet	-	-27	-16	-12	-12	-16	-18	-23
HR 190-2-1 3BE	Outlet	-	-22	-9	-6	-6	-6	-11	-15

Fan Size	A	B	H	R	S	X	FIX	Weight
HR 190-2-1 3BE	213	335	140	30	370	245	4 x Ø10	3.8

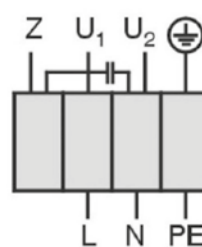
DRAWINGS AND DIMENSIONS



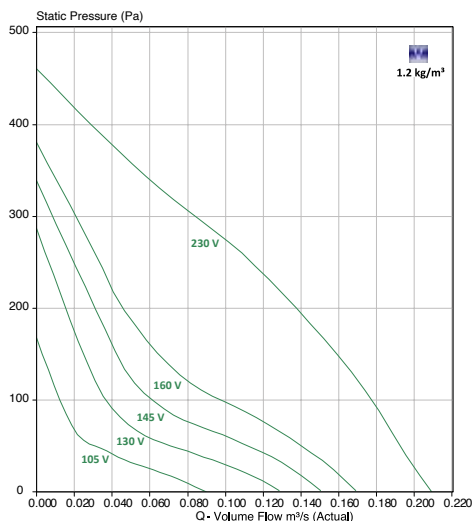
WIRING DIAGRAMS

Single phase A.C. motor with operating capacitor and thermostatic switch. Thermostatic switch internal wired in series with windings.

- U1 Blue
- U2 Black
- Z Brown
- PE Yellow-Green



PERFORMANCE CHART

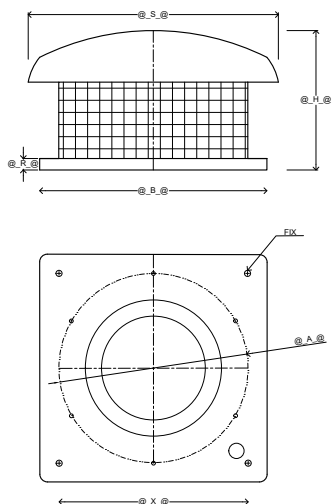


Model Name	Part Code	Motor Nominal data at 50Hz supply voltage	Power (kW)	Max Current (A)	IP Class	Speed (rpm)	Max Operating Temp (°C)
HR 225-2-1 3CF	RH225201	220-240V/50Hz/1pH	0.11	0.51	IP44	2580	50

Model Name	Sound Path [dB(A)]	Octave Correction factors (Hz)							
		63	125	250	500	1000	2000	4000	8000
HR 225-2-1 3CF	Inlet	-	-27	-20	-12	-12	-16	-18	-23
HR 225-2-1 3CF	Outlet	-	-22	-9	-6	-6	-6	-11	-15

Fan Size	A	B	H	R	S	X	FIX	Weight
HR 225-2-1 3CF	213	335	140	30	370	245	4 x Ø10	5

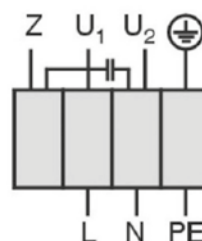
DRAWINGS AND DIMENSIONS



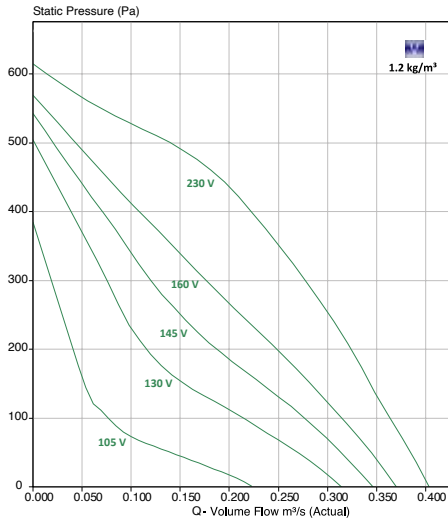
WIRING DIAGRAMS

Single phase A.C. motor with operating capacitor and thermostatic switch. Thermostatic switch internal wired in series with windings.

- U1 Blue
- U2 Black
- Z Brown
- PE Yellow-Green



PERFORMANCE CHART

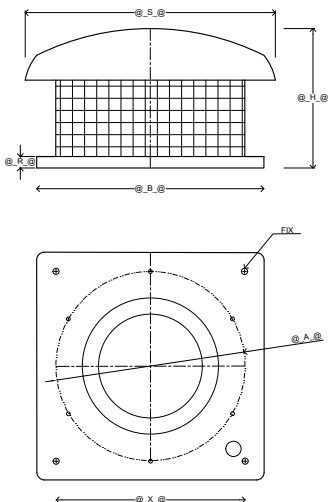


Model Name	Part Code	Motor Nominal data at 50Hz supply voltage	Power (kW)	Max Current (A)	IP Class	Speed (rpm)	Max Operating Temp (°C)
HR 280-2-1 3EF	RH280209	220-240V/50Hz/1pH	0.21	0.91	IP44	2640	70

Model Name	Sound Path [dB(A)]	Octave Correction factors (Hz)							
		63	125	250	500	1000	2000	4000	8000
HR 280-2-1 3EF	Inlet	-39	-29	-14	-11	-8	-11	-15	14
HR 280-2-1 3EF	Outlet	-37	-29	-11	-7	-5	-5	-11	-21

Fan Size	A	B	H	R	S	X	FIX	Weight
HR 280-2-1 3EF	286	435	260	30	550	330	4 x Ø10	10.5

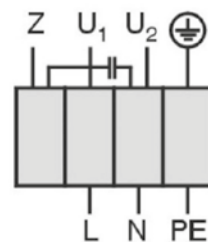
DRAWINGS AND DIMENSIONS



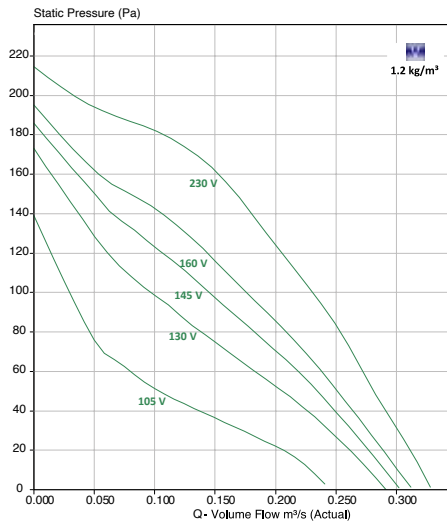
WIRING DIAGRAMS

Single phase A.C. motor with operating capacitor and thermostatic switch. Thermostatic switch internal wired in series with windings.

- U1 Blue
- U2 Black
- Z Brown
- PE Yellow-Green



PERFORMANCE CHART

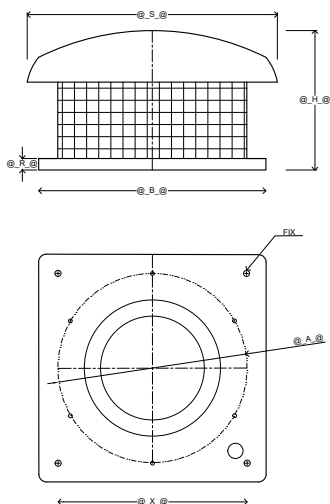


Model Name	Part Code	Motor Nominal data at 50Hz supply voltage	Power (kW)	Max Current (A)	IP Class	Speed (rpm)	Max Operating Temp (°C)
HR 280-4-1 3EF	RH280408	220-240V/50Hz/1pH	0.11	0.47	IP44	1290	50

Model Name	Sound Path [dB(A)]	Octave Correction factors (Hz)							
		63	125	250	500	1000	2000	4000	8000
HR 280-4-1 3EF	Inlet	-	-25	-14	-10	-10	-14	-16	-21
HR 280-4-1 3EF	Outlet	-	-22	-9	-6	-6	-6	-11	-15

Fan Size	A	B	H	R	S	X	FIX	Weight
HR 280-4-1 3EF	286	435	260	30	550	330	4 x Ø10	9.5

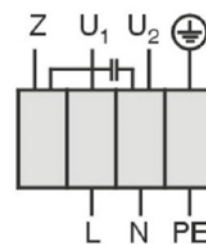
DRAWINGS AND DIMENSIONS



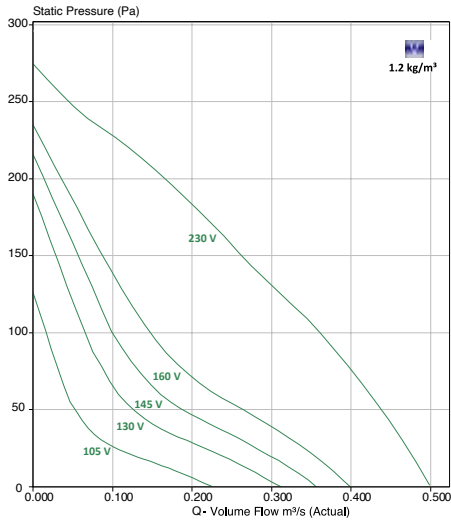
WIRING DIAGRAMS

Single phase A.C. motor with operating capacitor and thermostatic switch. Thermostatic switch internal wired in series with windings.

- U1 Blue
- U2 Black
- Z Brown
- PE Yellow-Green



PERFORMANCE CHART

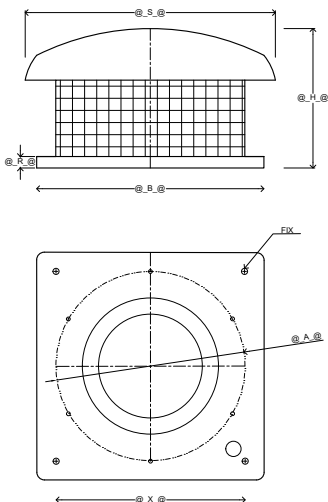


Model Name	Part Code	Motor Nominal data at 50Hz supply voltage	Power (kW)	Max Current (A)	IP Class	Speed (rpm)	Max Operating Temp (°C)
HR 310-4-1 3EF	RH310400	220-240V/50Hz/1pH	0.12	0.54	IP44	1230	70

Model Name	Sound Path [dB(A)]	Octave Correction factors (Hz)							
		63	125	250	500	1000	2000	4000	8000
HR 310-4-1 3EF	Inlet	-34	-25	-13	-10	-11	-12	18	-24
HR 310-4-1 3EF	Outlet	-34	-24	-11	-5	-4	-8	-15	-22

Fan Size	A	B	H	R	S	X	FIX	Weight
HR 310-4-1 3EF	286	435	260	30	550	330	4 x Ø10	10

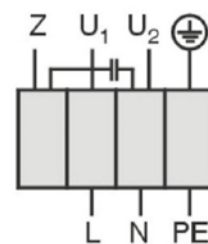
DRAWINGS AND DIMENSIONS



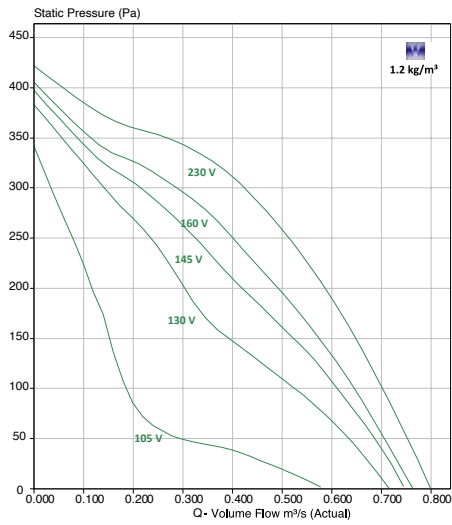
WIRING DIAGRAMS

Single phase A.C. motor with operating capacitor and thermostatic switch. Thermostatic switch internal wired in series with windings.

- U1 Blue
- U2 Black
- Z Brown
- PE Yellow-Green



PERFORMANCE CHART

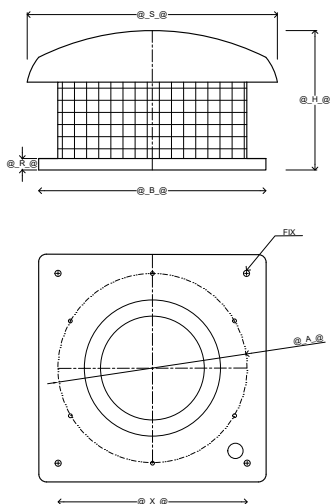


Model Name	Part Code	Motor Nominal data at 50Hz supply voltage	Power (kW)	Max Current (A)	IP Class	Speed (rpm)	Max Operating Temp (°C)
HR 355-4-1 5FA	RH355400	220-240V/50Hz/1pH	0.28	1.4	IP54	1370	70

Model Name	Sound Path [dB(A)]	Octave Correction factors (Hz)							
		63	125	250	500	1000	2000	4000	8000
HR 355-4-1 5FA	Inlet	-35	-22	-14	-11	-12	-14	-18	-23
HR 355-4-1 5FA	Outlet	-22	-16	-8	-5	-5	-8	-19	-20

Fan Size	A	B	H	R	S	X	FIX	Weight
HR 355-4-1 5FA	438	595	365	30	710	450	4 x Ø12	23.5

DRAWINGS AND DIMENSIONS

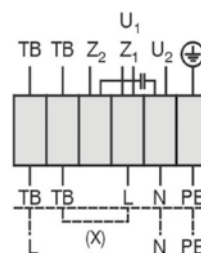


WIRING DIAGRAMS

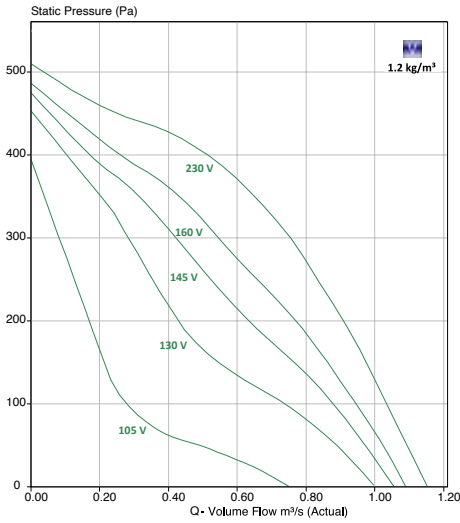
Single phase A.C. motor with operating capacitor and thermostatic switch. Thermostatic switch wired in series with windings if RE controllers are used.

Insert bridge (x) and wire connections shown as dash-line on the drawing.

- U₁ Brown
- U₂ Blue
- Z₁ Black
- Z₂ Orange
- TB White
- PE Yellow-Green



PERFORMANCE CHART

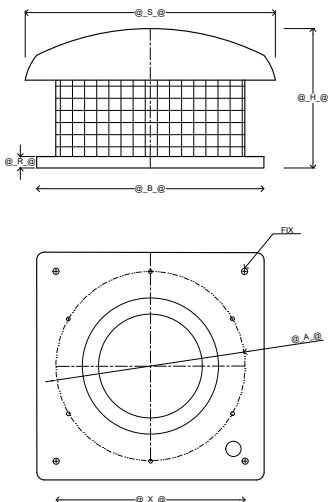


Model Name	Part Code	Motor Nominal data at 50Hz supply voltage	Power (kW)	Max Current (A)	IP Class	Speed (rpm)	Max Operating Temp (°C)
HR 400-4-1 5HA	RH400400	220-240V/50Hz/1pH	0.49	2.3	IP54	1360	45

Model Name	Sound Path [dB(A)]	Octave Correction factors (Hz)							
		63	125	250	500	1000	2000	4000	8000
HR 400-4-1 5HA	Inlet	-35	-22	-14	-11	-12	-14	-18	-23
HR 400-4-1 5HA	Outlet	-22	-16	-8	-5	-5	-8	-19	-20

Fan Size	A	B	H	R	S	X	FIX	Weight
HR 400-4-1 5HA	438	595	365	30	710	450	4 x Ø12	23

DRAWINGS AND DIMENSIONS

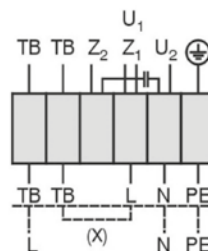


WIRING DIAGRAMS

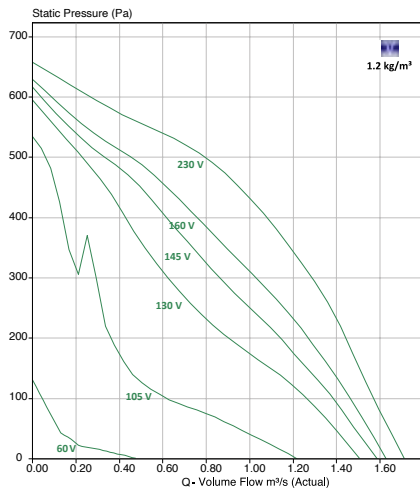
Single phase A.C. motor with operating capacitor and thermostatic switch. Thermostatic switch wired in series with windings if RE controllers are used.

Insert bridge (x) and wire connections shown as dash-line on the drawing.

- U₁ Brown
- U₂ Blue
- Z₁ Black
- Z₂ Orange
- TB White
- PE Yellow-Green



PERFORMANCE CHART

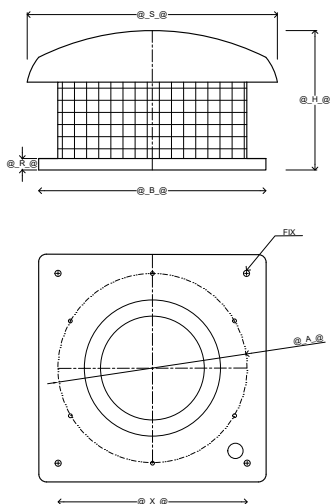


Model Name	Part Code	Motor Nominal data at 50Hz supply voltage	Power (kW)	Max Current (A)	IP Class	Speed (rpm)	Max Operating Temp (°C)
HR 450-4-1 6FA	RH450400	220-240V/50Hz/1pH	0.89	4.3	IP54	1400	45

Model Name	Sound Path [dB(A)]	Octave Correction factors (Hz)							
		63	125	250	500	1000	2000	4000	8000
HR 450-4-1 6FA	Inlet	-36	-21	-14	-12	-12	-13	-17	-22
HR 450-4-1 6FA	Outlet	-35	-15	-9	-5	-4	-10	-16	-22

Fan Size	A	B	H	R	S	X	FIX	Weight
HR 450-4-1 6FA	438	665	440	30	820	535	4 x Ø12	34.8

DRAWINGS AND DIMENSIONS

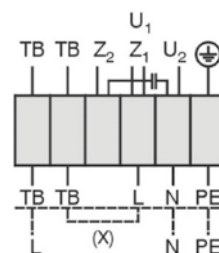


WIRING DIAGRAMS

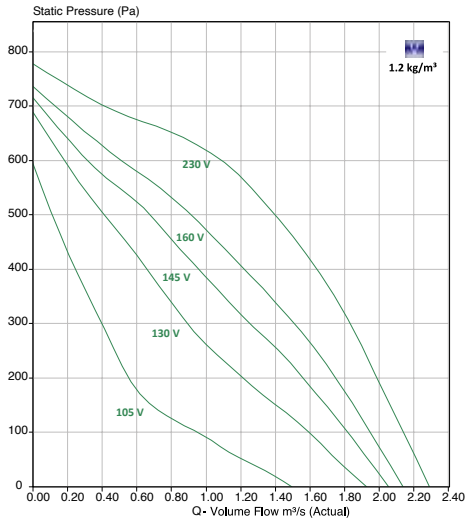
Single phase A.C. motor with operating capacitor and thermostatic switch. Thermostatic switch wired in series with windings if RE controllers are used.

Insert bridge (x) and wire connections shown as dash-line on the drawing.

- U₁ Brown
- U₂ Blue
- Z₁ Black
- Z₂ Orange
- TB White
- PE Yellow-Green



PERFORMANCE CHART

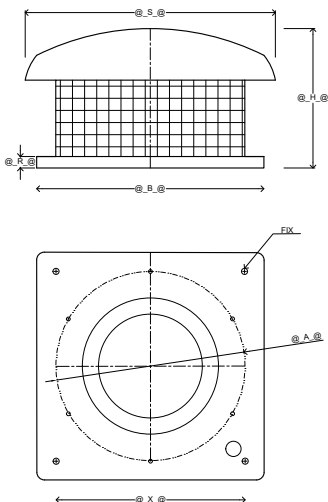


Model Name	Part Code	Motor Nominal data at 50Hz supply voltage	Power (kW)	Max Current (A)	IP Class	Speed (rpm)	Max Operating Temp (°C)
HR 500-4-1 6HF	RH500400	220-240V/50Hz/1pH	1.42	6.4	IP54	1395	40

Model Name	Sound Path [dB(A)]	Octave Correction factors (Hz)							
		63	125	250	500	1000	2000	4000	8000
HR 500-4-1 6HF	Inlet	-36	-21	-14	-12	-12	-13	-17	-22
HR 500-4-1 6HF	Outlet	-35	-15	-9	-5	-4	-10	-16	-22

Fan Size	A	B	H	R	S	X	FIX	Weight
HR 500-4-1 6HF	438	665	440	30	820	535	4 x Ø12	41

DRAWINGS AND DIMENSIONS

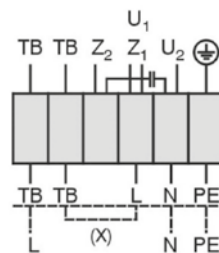


WIRING DIAGRAMS

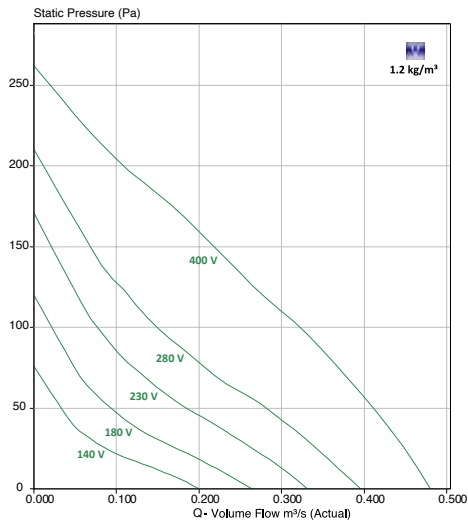
Single phase A.C. motor with operating capacitor and thermostatic switch. Thermostatic switch wired in series with windings if RE controllers are used.

Insert bridge (x) and wire connections shown as dash-line on the drawing.

- U₁ Brown
- U₂ Blue
- Z₁ Black
- Z₂ Orange
- TB White
- PE Yellow-Green



PERFORMANCE CHART

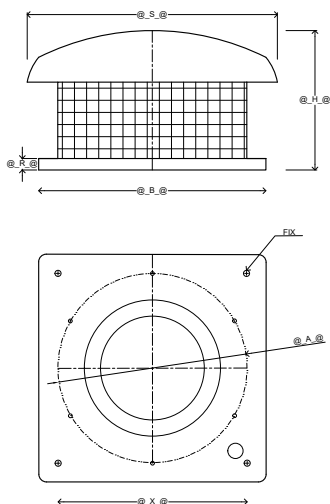


Model Name	Part Code	Motor Nominal data at 50Hz supply voltage	Power (kW)	Max Current (A)	IP Class	Speed (rpm)	Max Operating Temp (°C)
HR 310-4-3 3EF	RH310401	380-420V/50Hz/3pH	0.11	0.21	IP54	1145	60

Model Name	Sound Path [dB(A)]	Octave Correction factors (Hz)							
		63	125	250	500	1000	2000	4000	8000
HR 310-4-3 3EF	Inlet	-34	-25	-13	-10	-11	-12	-18	-24
HR 310-4-3 3EF	Outlet	-34	-24	-11	-5	-4	-8	-15	-22

Fan Size	A	B	H	R	S	X	FIX	Weight
HR 310-4-3 3EF	286	435	260	30	550	330	4 x Ø10	10

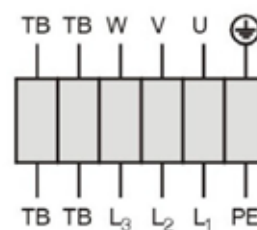
DRAWINGS AND DIMENSIONS



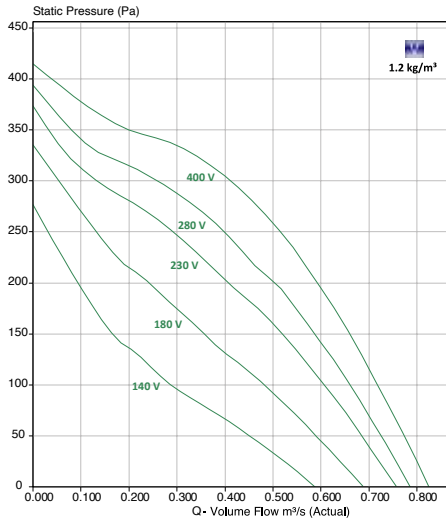
WIRING DIAGRAMS

Three phase motor with thermostatic switch (TB).

- U Brown
- V Blue or Grey
- W Black
- TB White
- PE Yellow-Green



PERFORMANCE CHART

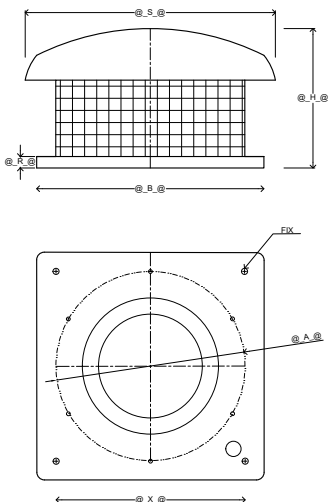


Model Name	Part Code	Motor Nominal data at 50Hz supply voltage	Power (kW)	Max Current (A)	IP Class	Speed (rpm)	Max Operating Temp (°C)
HR 355-4-3 5DF	RH355401	380-420V/50Hz/3pH	0.29	0.69	IP54	1390	60

Model Name	Sound Path [dB(A)]	Octave Correction factors (Hz)							
		63	125	250	500	1000	2000	4000	8000
HR 355-4-3 5DF	Inlet	-	-21	-13	-10	-10	-10	-15	-22
HR 355-4-3 5DF	Outlet	-	-16	-6	-6	-6	-8	-13	-21

Fan Size	A	B	H	R	S	X	FIX	Weight
HR 355-4-3 5DF	438	595	365	30	710	450	4 x Ø12	19

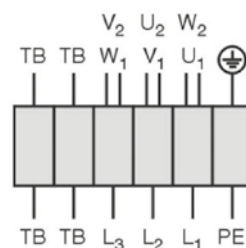
DRAWINGS AND DIMENSIONS



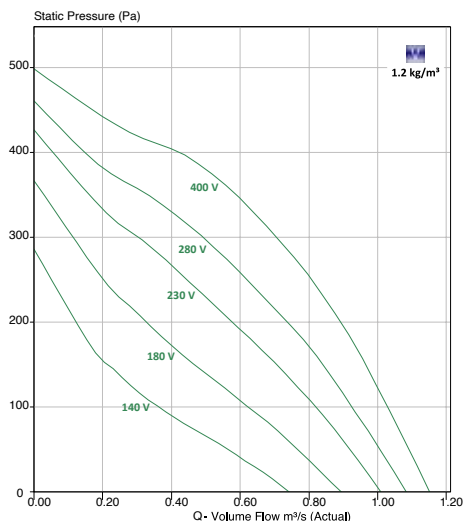
WIRING DIAGRAMS

Three phase motor in delta connection with thermostatic switch (TB).
Changing of rotation direction by interchanging of 2 phases.

- U₁ Brown
- V₁ Blue
- W₁ Black
- U₂ Red
- V₂ Grey
- W₂ Orange
- TB White
- PE Yellow-Green



PERFORMANCE CHART

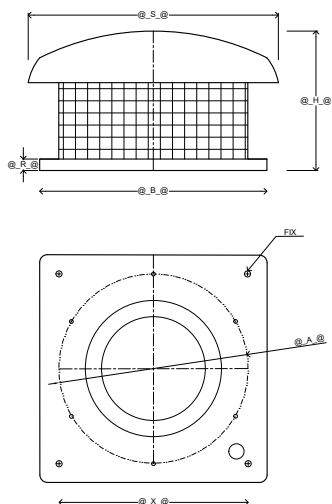


Model Name	Part Code	Motor Nominal data at 50Hz supply voltage	Power (kW)	Max Current (A)	IP Class	Speed (rpm)	Max Operating Temp (°C)
HR 400-4-3 5FA	RH400401	380-420V/50Hz/3pH	0.45	0.92	IP54	1360	60

Model Name	Sound Path [dB(A)]	Octave Correction factors (Hz)							
		63	125	250	500	1000	2000	4000	8000
HR 400-4-3 5FA	Inlet	-	-22	-13	-10	-10	-10	-15	-21
HR 400-4-3 5FA	Outlet	-	-19	-6	-5	-6	-10	-14	-22

Fan Size	A	B	H	R	S	X	FIX	Weight
HR 400-4-3 5HA	438	595	365	30	710	450	4 x Ø12	24.5

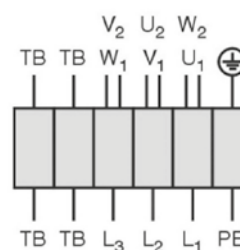
DRAWINGS AND DIMENSIONS



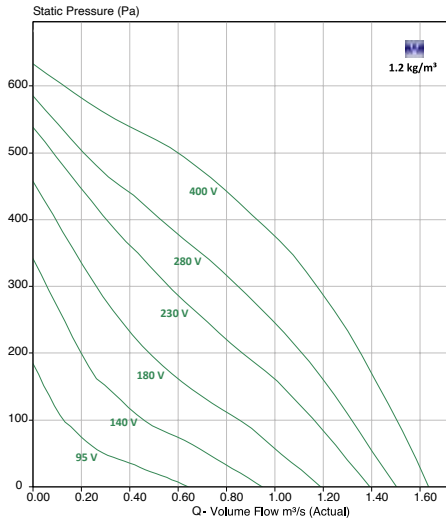
WIRING DIAGRAMS

Three phase motor in delta connection with thermostatic switch (TB). Changing of rotation direction by interchanging of 2 phases.

- U₁ Brown
- V₁ Blue
- W₁ Black
- U₂ Red
- V₂ Grey
- W₂ Orange
- TB White
- PE Yellow-Green



PERFORMANCE CHART

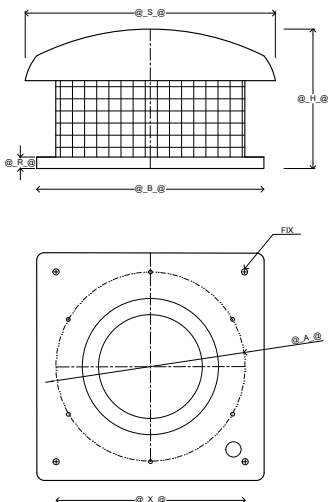


Model Name	Part Code	Motor Nominal data at 50Hz supply voltage	Power (kW)	Max Current (A)	IP Class	Speed (rpm)	Max Operating Temp (°C)
HR 450-4-3 5HA	RH450401	380-420V/50Hz/3pH	0.78	1.56	IP54	1340	55

Model Name	Sound Path [dB(A)]	Octave Correction factors (Hz)							
		63	125	250	500	1000	2000	4000	8000
HR 450-4-3 5HA	Inlet	-	-15	-12	-10	-9	-12	-19	-27
HR 450-4-3 5HA	Outlet	-	-15	-7	-5	-7	-7	-14	-18

Fan Size	A	B	H	R	S	X	FIX	Weight
HR 450-4-3 5HA	438	665	440	30	820	535	4 x Ø12	30.4

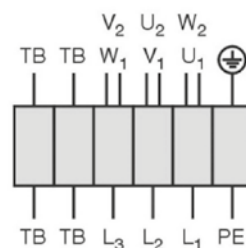
DRAWINGS AND DIMENSIONS



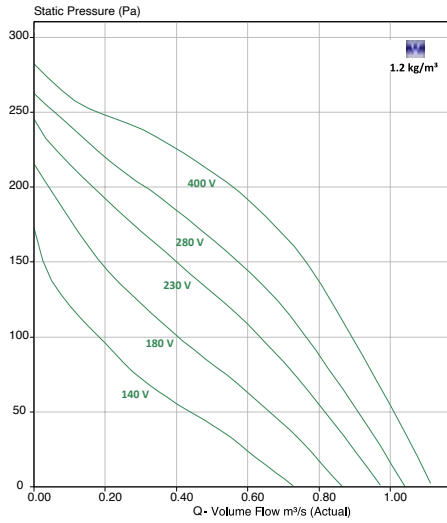
WIRING DIAGRAMS

Three phase motor in delta connection with thermostatic switch (TB).
Changing of rotation direction by interchanging of 2 phases.

- U₁ Brown
- V₁ Blue
- W₁ Black
- U₂ Red
- V₂ Grey
- W₂ Orange
- TB White
- PE Yellow-Green



PERFORMANCE CHART

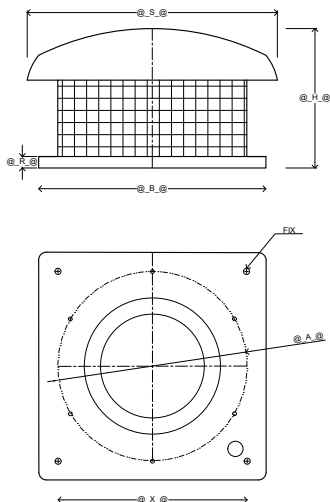


Model Name	Part Code	Motor Nominal data at 50Hz supply voltage	Power (kW)	Max Current (A)	IP Class	Speed (rpm)	Max Operating Temp (°C)
HR 450-6-3 5HA	RH450602	380-420V/50Hz/3pH	0.27	0.61	IP54	905	60

Model Name	Sound Path [dB(A)]	Octave Correction factors (Hz)							
		63	125	250	500	1000	2000	4000	8000
HR 450-6-3 5HA	Inlet	-	-15	-12	-10	-9	-12	-19	-27
HR 450-6-3 5HA	Outlet	-	-15	-7	-5	-7	-7	-14	-18

Fan Size	A	B	H	R	S	X	FIX	Weight
HR 450-6-3 5HA	438	665	440	30	820	535	4 x Ø12	30.4

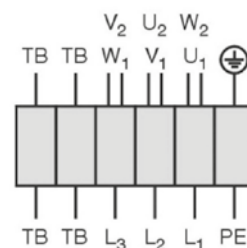
DRAWINGS AND DIMENSIONS



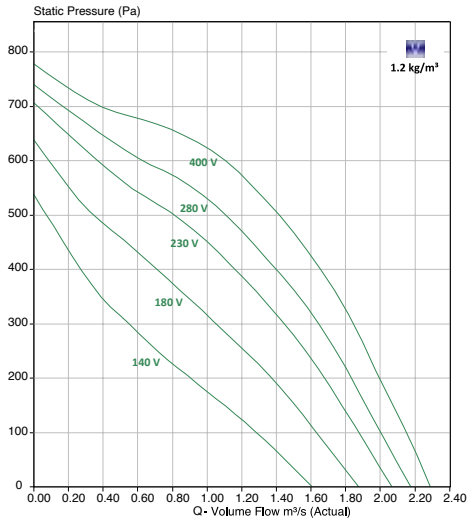
WIRING DIAGRAMS

Three phase motor in delta connection with thermostatic switch (TB). Changing of rotation direction by interchanging of 2 phases.

- U₁ Brown
- V₁ Blue
- W₁ Black
- U₂ Red
- V₂ Grey
- W₂ Orange
- TB White
- PE Yellow-Green



PERFORMANCE CHART

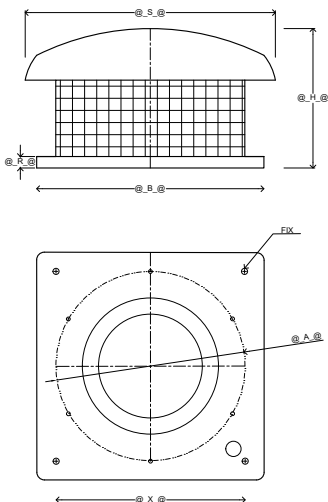


Model Name	Part Code	Motor Nominal data at 50Hz supply voltage	Power (kW)	Max Current (A)	IP Class	Speed (rpm)	Max Operating Temp (°C)
HR 500-4-3 6HF	RH500401	380-420V/50Hz/3pH	1.32	2.8	IP54	1400	60

Model Name	Sound Path [dB(A)]	Octave Correction factors (Hz)							
		63	125	250	500	1000	2000	4000	8000
HR 500-4-3 6HF	Inlet	-	-15	-10	-10	-11	-12	-17	-23
HR 500-4-3 6HF	Outlet	-	-9	-8	-8	-4	-9	-16	-23

Fan Size	A	B	H	R	S	X	FIX	Weight
HR 500-4-3 6HF	438	665	440	30	820	535	4 x Ø12	40

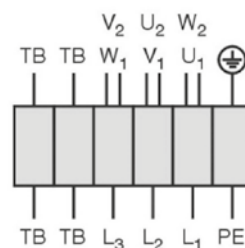
DRAWINGS AND DIMENSIONS



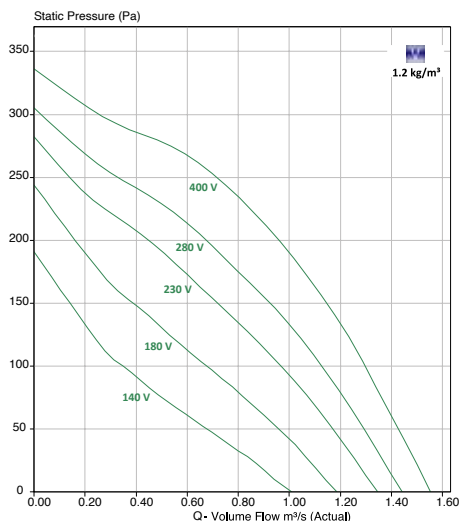
WIRING DIAGRAMS

Three phase motor in delta connection with thermostatic switch (TB).
Changing of rotation direction by interchanging of 2 phases.

- U₁ Brown
- V₁ Blue
- W₁ Black
- U₂ Red
- V₂ Grey
- W₂ Orange
- TB White
- PE Yellow-Green



PERFORMANCE CHART

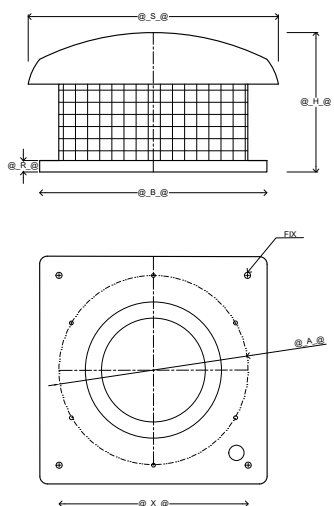


Model Name	Part Code	Motor Nominal data at 50Hz supply voltage	Power (kW)	Max Current (A)	IP Class	Speed (rpm)	Max Operating Temp (°C)
HR 500-6-3 6DF	RH500602	380-420V/50Hz/3pH	0.43	1.05	IP54	900	60

Model Name	Sound Path [dB(A)]	Octave Correction factors (Hz)							
		63	125	250	500	1000	2000	4000	8000
HR 500-6-3 6DF	Inlet	-	-15	-10	-10	-11	-12	-17	-23
HR 500-6-3 6DF	Outlet	-	-9	-8	-8	-4	-9	-16	-23

Fan Size	A	B	H	R	S	X	FIX	Weight
HR 500-6-3 6DF	438	665	440	30	820	535	4 x Ø12	39

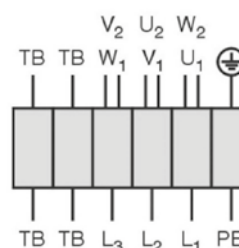
DRAWINGS AND DIMENSIONS



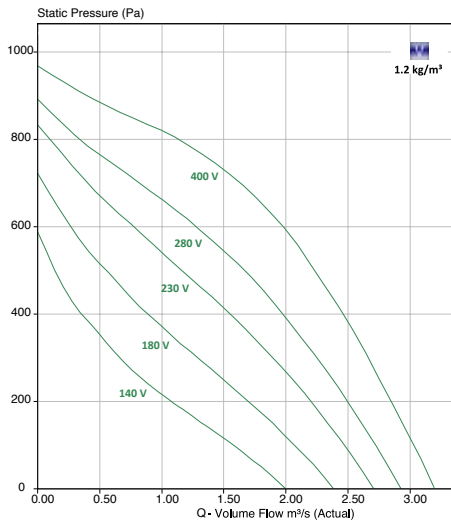
WIRING DIAGRAMS

Three phase motor in delta connection with thermostatic switch (TB). Changing of rotation direction by interchanging of 2 phases.

- U₁ Brown
- V₁ Blue
- W₁ Black
- U₂ Red
- V₂ Grey
- W₂ Orange
- TB White
- PE Yellow-Green



PERFORMANCE CHART

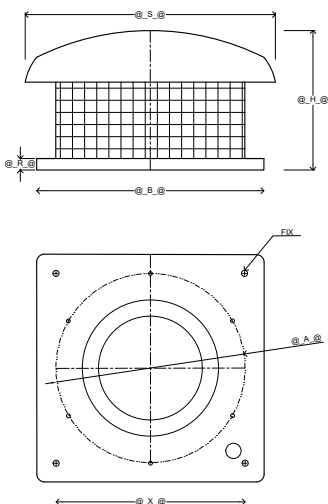


Model Name	Part Code	Motor Nominal data at 50Hz supply voltage	Power (kW)	Max Current (A)	IP Class	Speed (rpm)	Max Operating Temp (°C)
HR 560-4-3 6LA	RH560400	380-420V/50Hz/3pH	2.18	4.25	IP54	1345	50

Model Name	Sound Path [dB(A)]	Octave Correction factors (Hz)							
		63	125	250	500	1000	2000	4000	8000
HR 560-4-3 6LA	Inlet	-	-14	-10	-12	-12	-15	-19	-23
HR 560-4-3 6LA	Outlet	-	-8	-7	-7	-5	-10	-19	-26

Fan Size	A	B	H	R	S	X	FIX	Weight
HR 560-4-3 6LA	605	939	505	30	1100	750	4 x Ø14	57

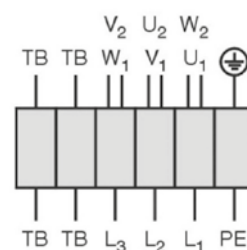
DRAWINGS AND DIMENSIONS



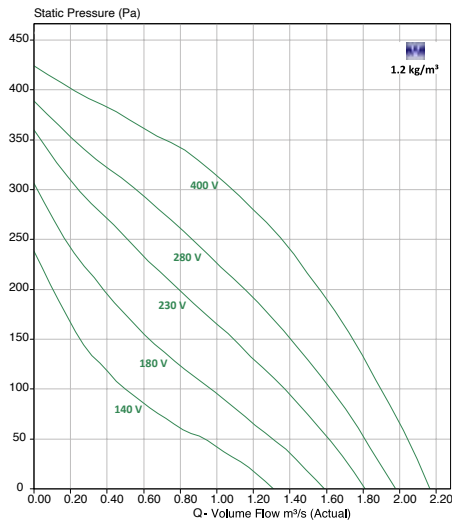
WIRING DIAGRAMS

Three phase motor in delta connection with thermostatic switch (TB).
Changing of rotation direction by interchanging of 2 phases.

- U₁ Brown
- V₁ Blue
- W₁ Black
- U₂ Red
- V₂ Grey
- W₂ Orange
- TB White
- PE Yellow-Green



PERFORMANCE CHART

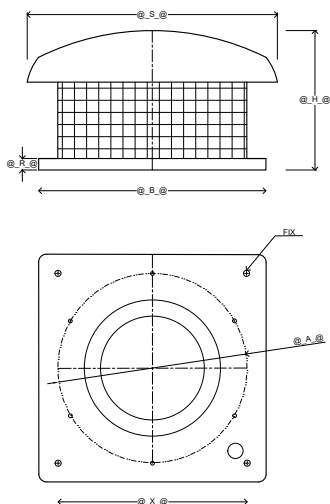


Model Name	Part Code	Motor Nominal data at 50Hz supply voltage	Power (kW)	Max Current (A)	IP Class	Speed (rpm)	Max Operating Temp (°C)
HR 560-6-3 6FA	RH560601	380-420V/50Hz/3pH	0.67	1.5	IP54	880	50

Model Name	Sound Path [dB(A)]	Octave Correction factors (Hz)							
		63	125	250	500	1000	2000	4000	8000
HR 560-6-3 6FA	Inlet	-	-14	-10	-12	-12	-15	-19	-23
HR 560-6-3 6FA	Outlet	-	-8	-7	-7	-5	-10	-19	-26

Fan Size	A	B	H	R	S	X	FIX	Weight
HR 560-6-3 6DF	438	665	440	30	820	535	4 x Ø12	59

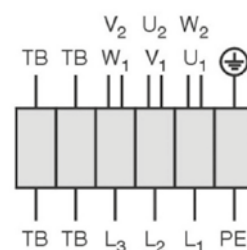
DRAWINGS AND DIMENSIONS



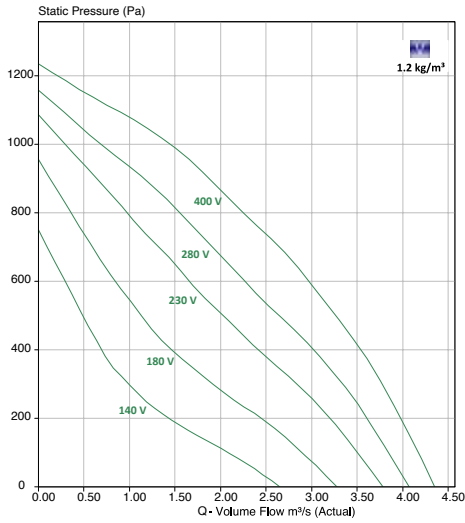
WIRING DIAGRAMS

Three phase motor in delta connection with thermostatic switch (TB).
Changing of rotation direction by interchanging of 2 phases.

- U₁ Brown
- V₁ Blue
- W₁ Black
- U₂ Red
- V₂ Grey
- W₂ Orange
- TB White
- PE Yellow-Green



PERFORMANCE CHART

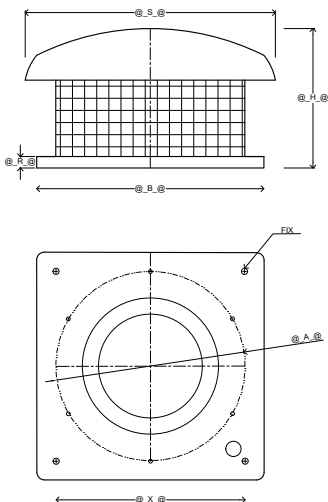


Model Name	Part Code	Motor Nominal data at 50Hz supply voltage	Power (kW)	Max Current (A)	IP Class	Speed (rpm)	Max Operating Temp (°C)
HR 630-4-3 7KF	RH630400	380-420V/50Hz/3pH	3.55	6.41	IP54	1385	40

Model Name	Sound Path [dB(A)]	Octave Correction factors (Hz)							
		63	125	250	500	1000	2000	4000	8000
HR 630-4-3 7KF	Inlet	-	-21	-16	-15	-10	-12	-17	-25
HR 630-4-3 7KF	Outlet	-	-16	-9	-5	-5	-8	-13	-21

Fan Size	A	B	H	R	S	X	FIX	Weight
HR 630-4-3 7KF	605	939	505	30	1100	750	4 x Ø14	81.5

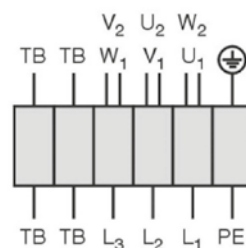
DRAWINGS AND DIMENSIONS



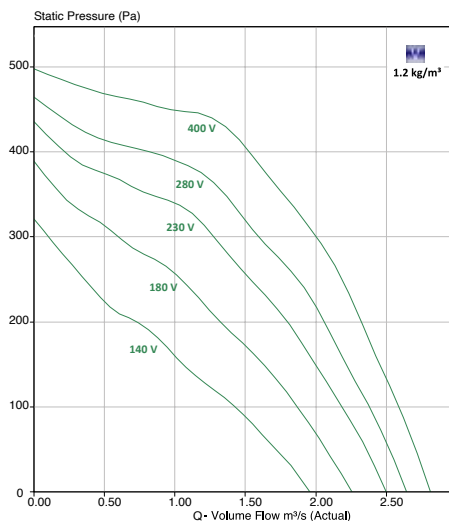
WIRING DIAGRAMS

Three phase motor in delta connection with thermostatic switch (TB). Changing of rotation direction by interchanging of 2 phases.

- U₁ Brown
- V₁ Blue
- W₁ Black
- U₂ Red
- V₂ Grey
- W₂ Orange
- TB White
- PE Yellow-Green



PERFORMANCE CHART

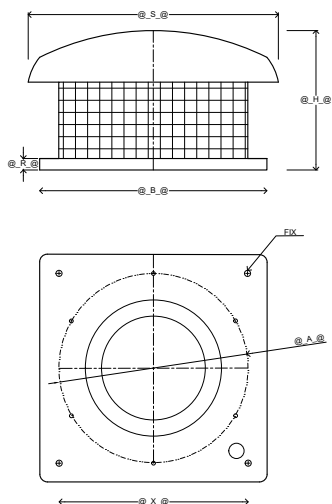


Model Name	Part Code	Motor Nominal data at 50Hz supply voltage	Power (kW)	Max Current (A)	IP Class	Speed (rpm)	Max Operating Temp (°C)
HR 630-6-3 6LA	RH630601	380-420V/50Hz/3pH	1.2	3.15	IP54	920	65

Model Name	Sound Path [dB(A)]	Octave Correction factors (Hz)							
		63	125	250	500	1000	2000	4000	8000
HR 630-6-3 6LA	Inlet	-	-21	-16	-15	-10	-12	-17	-25
HR 630-6-3 6LA	Outlet	-	-16	-9	-5	-5	-8	-13	-21

Fan Size	A	B	H	R	S	X	FIX	Weight
HR 630-6-3 6LA	605	939	505	30	1100	750	4 x Ø14	74

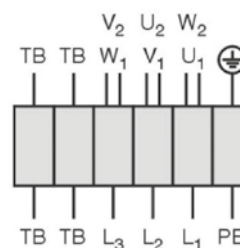
DRAWINGS AND DIMENSIONS

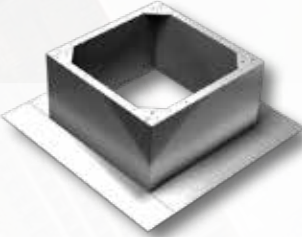


WIRING DIAGRAMS

Three phase motor in delta connection with thermostatic switch (TB).
Changing of rotation direction by interchanging of 2 phases.

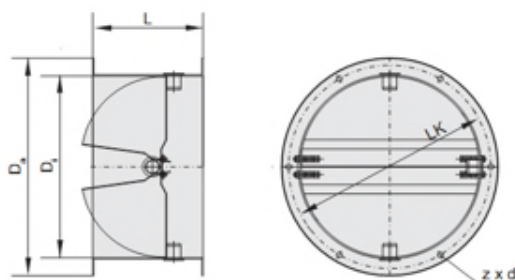
- U₁ Brown
- V₁ Blue
- W₁ Black
- U₂ Red
- V₂ Grey
- W₂ Orange
- TB White
- PE Yellow-Green





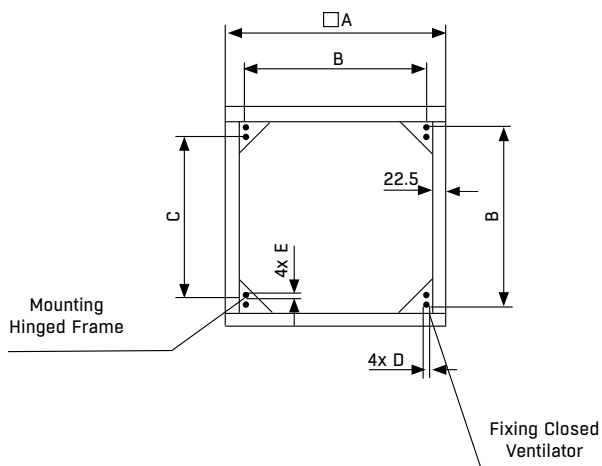
ROOF UNITS ACCESSORIES

SHUTTERS



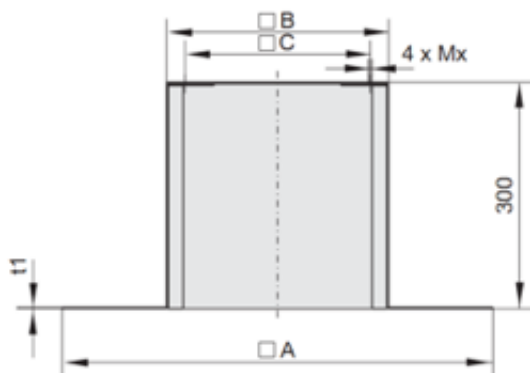
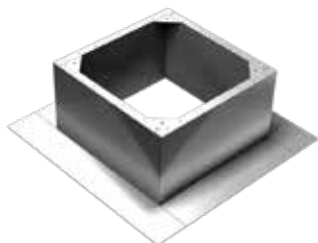
Size	Part Number	Da (mm)	LK (mm)	Di (mm)	L (mm)	z x d (mm)	Weight (kg)
190/225	VS019000	235	213	186	115	6x Ø8	1.0
280/310	VS031000	306	286	256	156	6x Ø8	2.0
355/400 450/500	VS035500	464	438	402	220	6x Ø10	4.5
560/630	VS056000	639	605	569	255	8x Ø10	6.5
710	VS071000	708	674	635	250	8x Ø10	7.5
800/900	VS080000	910	872	797	340	8x Ø10	15.5

SWING OUT



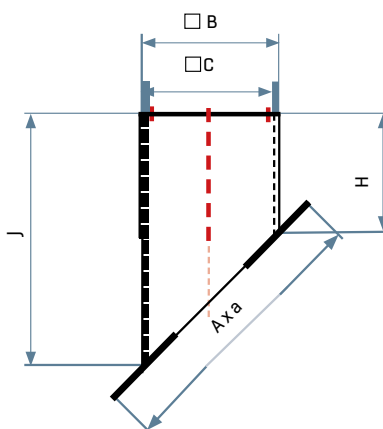
Size	Part Number	A (mm)	B (mm)	C (mm)	D (mm)	E (mm)	Weight (kg)
190/225	KR019000	294	245	215	M6	M6	2.6
280/310	KR031000	395	330	290	M6	M6	4.5
355/400	KR035500	555	450	410	M10	M8	8.0
450/500	KR045000	625	535	485	M10	M8	11.5
560/630	KR056000	895	750	690	M10	M8	27.5

FLAT ROOF SOCKET



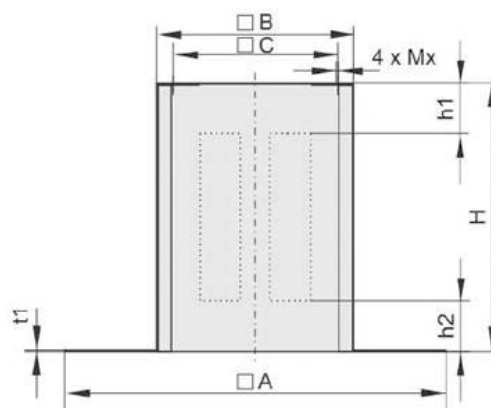
Size	Part Number	A (mm)	B(mm)	C (mm)	Mx (mm)	t1 (mm)	Weight (kg)
190/225	FS019000	571	294	245	M6	2.0	3.5
280/310	FS031000	657	395	330	M6	2.0	4.5
355/400	FS035500	817	555	450	M10	2.0	6.5
455/500	FS045000	877	625	535	M10	2.0	7.0
560/630	FS056000	1200	895	750	M10	2.0	10.0
710	FS071000	1300	985	840	M10	2.0	12.0
800/900	FS080000	1490	1205	1050	M12	4.0	15.0

BASE FOR SLOPING ROOF (5-45°)



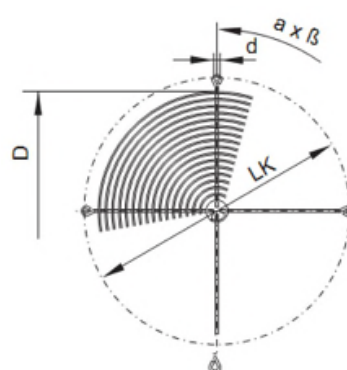
Size	Part Number	A (mm)	a (mm)	B (mm)	C (mm)	H (mm)	J (mm)	Weight (kg)
190/225	FS019050	X	571	294	245	300	X	3.5-5.5
280/310	FS031050	X	657	395	330	300	X	4.5-6.5
355/400	FS035550	X	817	555	450	300	X	6.5-8.5
450/500	FS045050	X	877	625	535	300	X	7.0-10.0
560/630	FS056050	X	1200	895	750	300	X	10.0-13.0
700	FS071050	X	1300	985	840	300	X	12.0-15.0
800/900	FS080050	X	1490	1205	1050	300	X	15.0-18.0

SOCKET SOUND ATTENUATOR



Size	Part Number	A (mm)	B (mm)	C (mm)	H (mm)	Mx (mm)	t1 (mm)	h1 (mm)	h2 (mm)	Weight (kg)
190/225	SD019021	571	294	245	600	M6	2	150	150	9
280/310	SD031021	710	395	330	700	M6	2	180	150	16
355/400	SD035521	874	555	450	900	M10	2	250	200	24
450/500	SD045021	900	625	535	900	M10	2	270	250	26
560/630	SD056021	1200	895	750	1070	M10	2	320	320	39
700	SD071018	1300	985	840	1160	M10	2	300	360	45
800/900	SD080000	1740	1205	1050	1230	M12	4	405	125	154

PROTECTION GUARD



Size	Part Number	D (mm)	Lk (mm)	d (mm)	a x beta (mm)	Weight (kg)
190/225	BG019020	190	213	7	3 x 120°	0.3
280/310	BG025020	230	286	7	3 x 120°	0.3
355/400 450/500	BG040002	412	438	8.5	3 x 120°	0.6
560/630	BG056003	570	605	11.5	8 x 45°	1.5
710	BG063003	630	674	11.5	4 x 45°	1.8

The page features a light gray grid background. A dark blue header bar at the top right contains the word "NOTES" in white. Below the header, the page is filled with horizontal blue lines for writing. The lines are evenly spaced and extend across the width of the page, starting from the left margin and ending at the right edge. The grid pattern is consistent throughout the page, providing a guide for writing.

EXCELLENCE IN SOLUTIONS

WWW.FLAKTGROUP.COM

ROOF UNITS | 20200212

FläktGroup is the European market leader for smart and energy efficient Indoor Air and Critical Air solutions to support every application area. We offer our customers innovative technologies, high quality and outstanding performance supported by more than a century of accumulated industry experience. The widest product range in the market, and strong market presence in 65 countries worldwide, guarantee that we are always by your side, ready to deliver Excellence in Solutions.

PRODUCT FUNCTIONS BY FLÄKTGROUP

Air Treatment | Air Movement | Air Diffusion
Air Distribution | Air Filtration | Air Management & ATD's
Air Conditioning & Heating | Controls | Service

AIRTREND Ltd. - KOVENT
D.O.O.
Kumanovska 14
11000 Beograd
Tel. 011 383 68 86, 308 57 40
Faks 011 344 41 13
E-mail: gobrid@eunet.rs,
office@kovent.rs
www.airtrend.rs, www.kovent.rs

» To learn more about our offering
and get in contact with your sales
representative please visit

www.flaktgroup.com